

JETRIKE - Tadpole

An Open Design

Copyright (c) 2007, Henry Thomas
All rights reserved.

Redistribution and use of plans, with or without modification, are permitted provided that the following conditions are met:

1. Redistributions of plans must retain the above copyright notice, this list of conditions and the following disclaimer.
2. Neither the name of Henry Thomas or JETRIKE nor the names of any contributors may be used to endorse or promote products derived from these plans without specific prior written permission.

THESE PLANS ARE PROVIDED BY THE COPYRIGHT HOLDERS AND CONTRIBUTORS "AS IS" AND ANY EXPRESS OR IMPLIED WARRANTIES, INCLUDING, BUT NOT LIMITED TO, THE IMPLIED WARRANTIES OF MERCHANTABILITY AND FITNESS FOR A PARTICULAR PURPOSE ARE DISCLAIMED. IN NO EVENT SHALL THE COPYRIGHT HOLDERS OR CONTRIBUTORS BE LIABLE FOR ANY DIRECT, INDIRECT, INCIDENTAL, SPECIAL, EXEMPLARY, OR CONSEQUENTIAL DAMAGES (INCLUDING, BUT NOT LIMITED TO, INJURY OCCASIONING BODILY HARM OR DEATH; LOSS OF PROFITS; PROCUREMENT OF SUBSTITUTE GOODS OR SERVICES; OR BUSINESS INTERRUPTION) HOWEVER CAUSED AND ON ANY THEORY OF LIABILITY, WHETHER IN CONTRACT, STRICT LIABILITY, OR TORT (INCLUDING NEGLIGENCE OR OTHERWISE) ARISING IN ANY WAY OUT OF THE USE OF THESE PLANS, EVEN IF ADVISED OF THE POSSIBILITY OF SUCH DAMAGE.

1

2

3

4

A

A

B

B

C

C

D

24" Front - 26" Rear

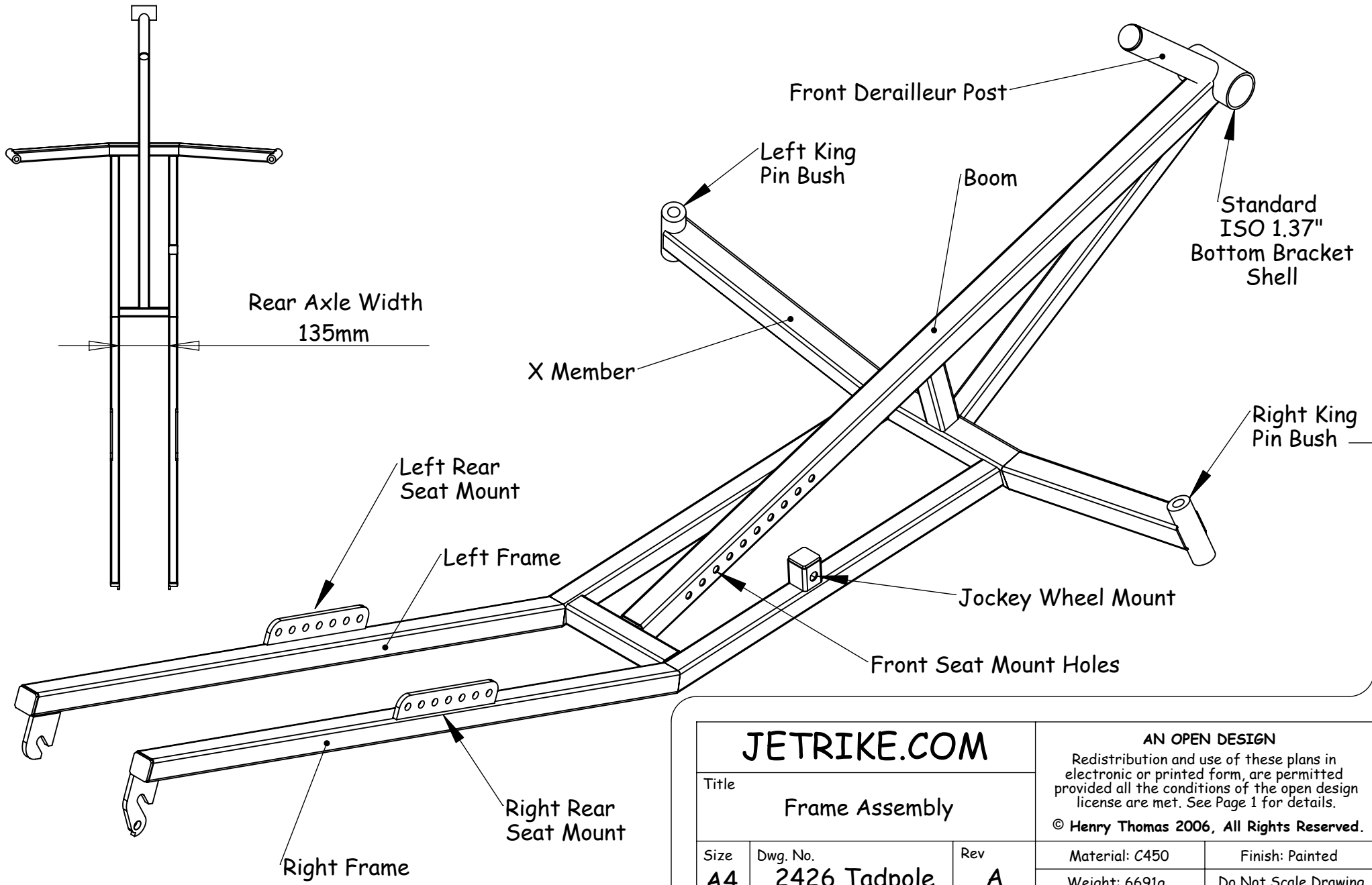
Specifications

Wheelbase@Geometry	Track@Plan	FW-Radius@Geometry	RW-Radius@Geometry	BB-Height@Geometry	BB-BOS-MAX@Geometry	BB-BOS-MIN@Geometry
1150	900	304.8	330.2	380	920	762.5

1

2

JETRIKE.COM			AN OPEN DESIGN	
Title Recumbent Tadpole Trike			Redistribution and use of these plans in electronic or printed form, are permitted provided all the conditions of the open design license are met. See Page 1 for details.	
© Henry Thomas 2006, All Rights Reserved.				
Size A4	Dwg. No. 2426 Tadpole	Rev A	Material: C450	Finish: Painted
Scale 1:8			Weight: 11.7kg	Do Not Scale Drawing
Sheet 2 of 16		Drawn by: Henry Thomas		



JETRIKE.COM			AN OPEN DESIGN	
Title Frame Assembly			Redistribution and use of these plans in electronic or printed form, are permitted provided all the conditions of the open design license are met. See Page 1 for details.	
Size A4	Dwg. No. 2426 Tadpole	Rev A	© Henry Thomas 2006, All Rights Reserved.	
Material: C450		Finish: Painted		
Weight: 6691g		Do Not Scale Drawing		
Scale 1:5		Sheet 3 of 16		Drawn by: Henry Thomas

1

2

3

4

A

A

B

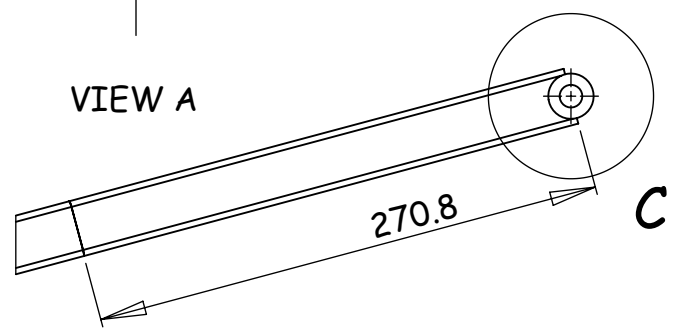
B

C

C

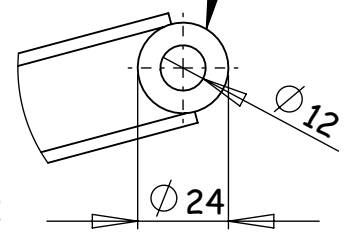
D

VIEW A

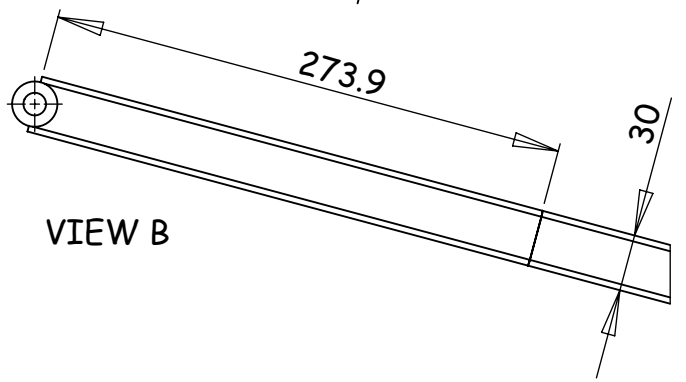
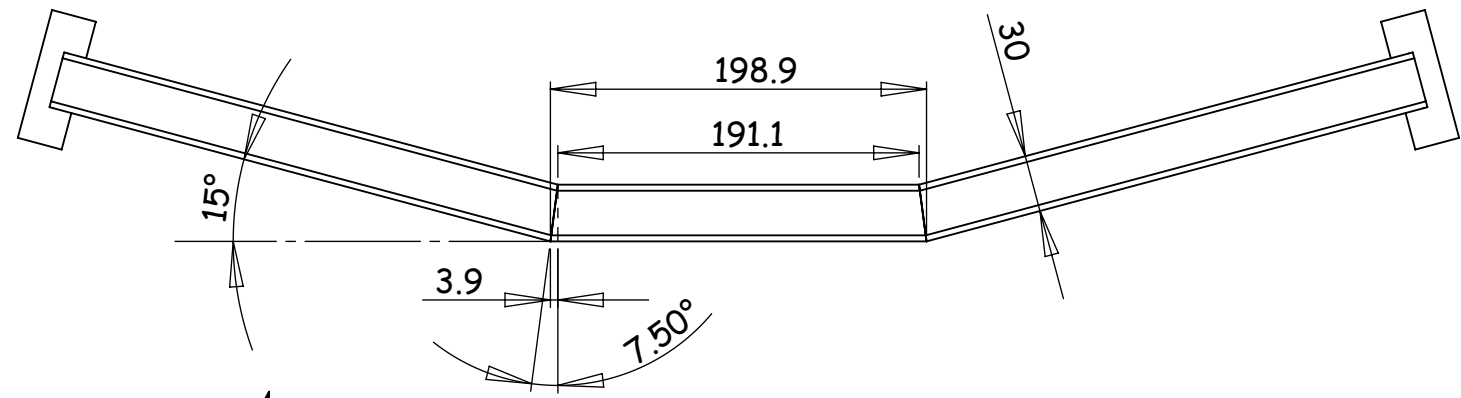


Bearing Housing for
Flanged Brass Bush

7017DU
OD 12mm
ID 10mm
W 17mm
F 1mm



DETAIL C
SCALE 1 : 2



VIEW B

JETRIKE.COM

Title
X Member

AN OPEN DESIGN
Redistribution and use of these plans in
electronic or printed form, are permitted
provided all the conditions of the open design
license are met. See Page 1 for details.
© Henry Thomas 2006, All Rights Reserved.

Size A4	Dwg. No. 2426 Tadpole	Rev A
-------------------	---------------------------------	-----------------

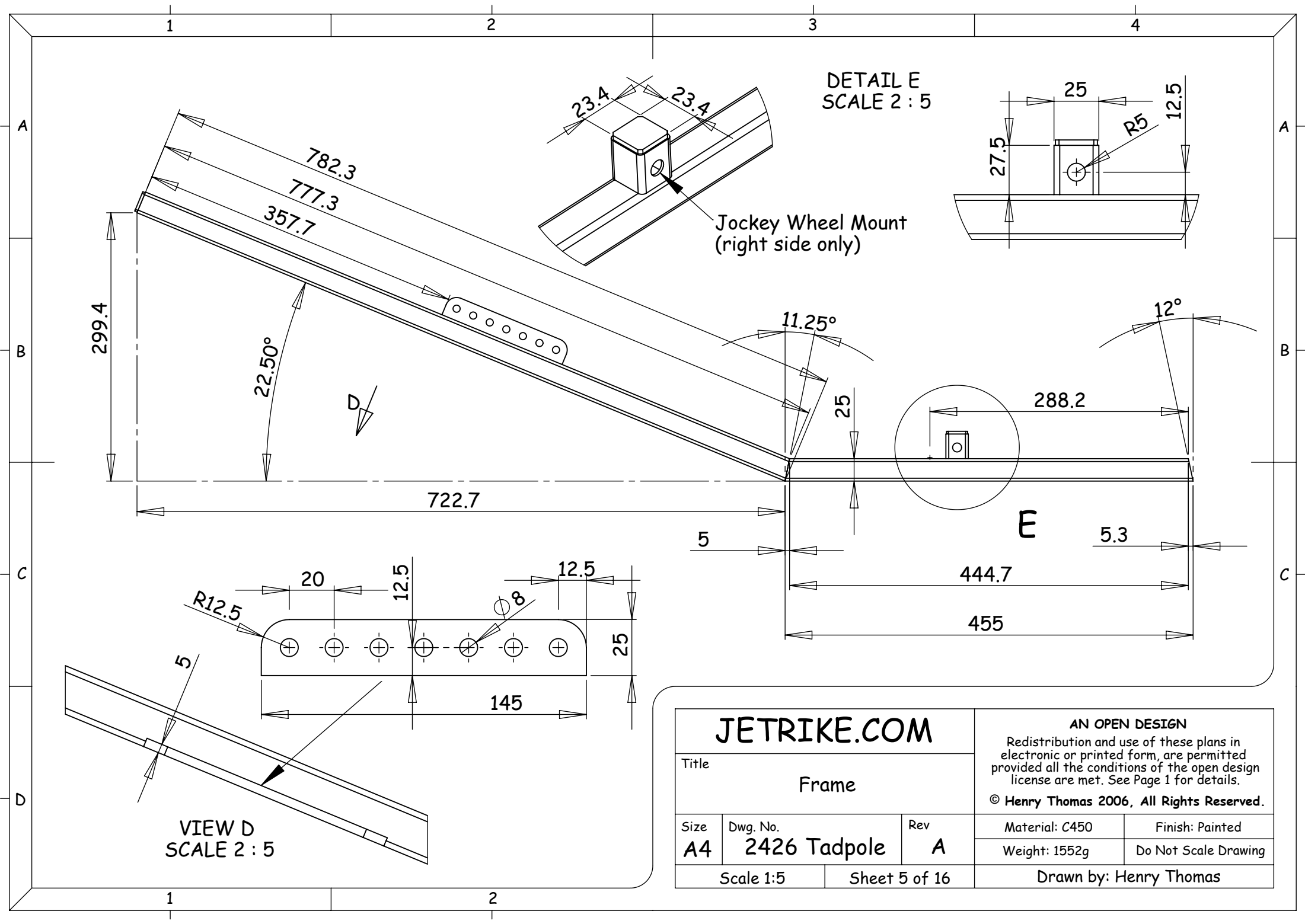
Material: C450	Finish: Painted
Weight: 1370g	Do Not Scale Drawing

Scale 1:4	Sheet 4 of 16
-----------	---------------

Drawn by: Henry Thomas

1

2



JETRIKE.COM		
Title Frame		
Size A4	Dwg. No. 2426 Tadpole	Rev A
Scale 1:5		Sheet 5 of 16

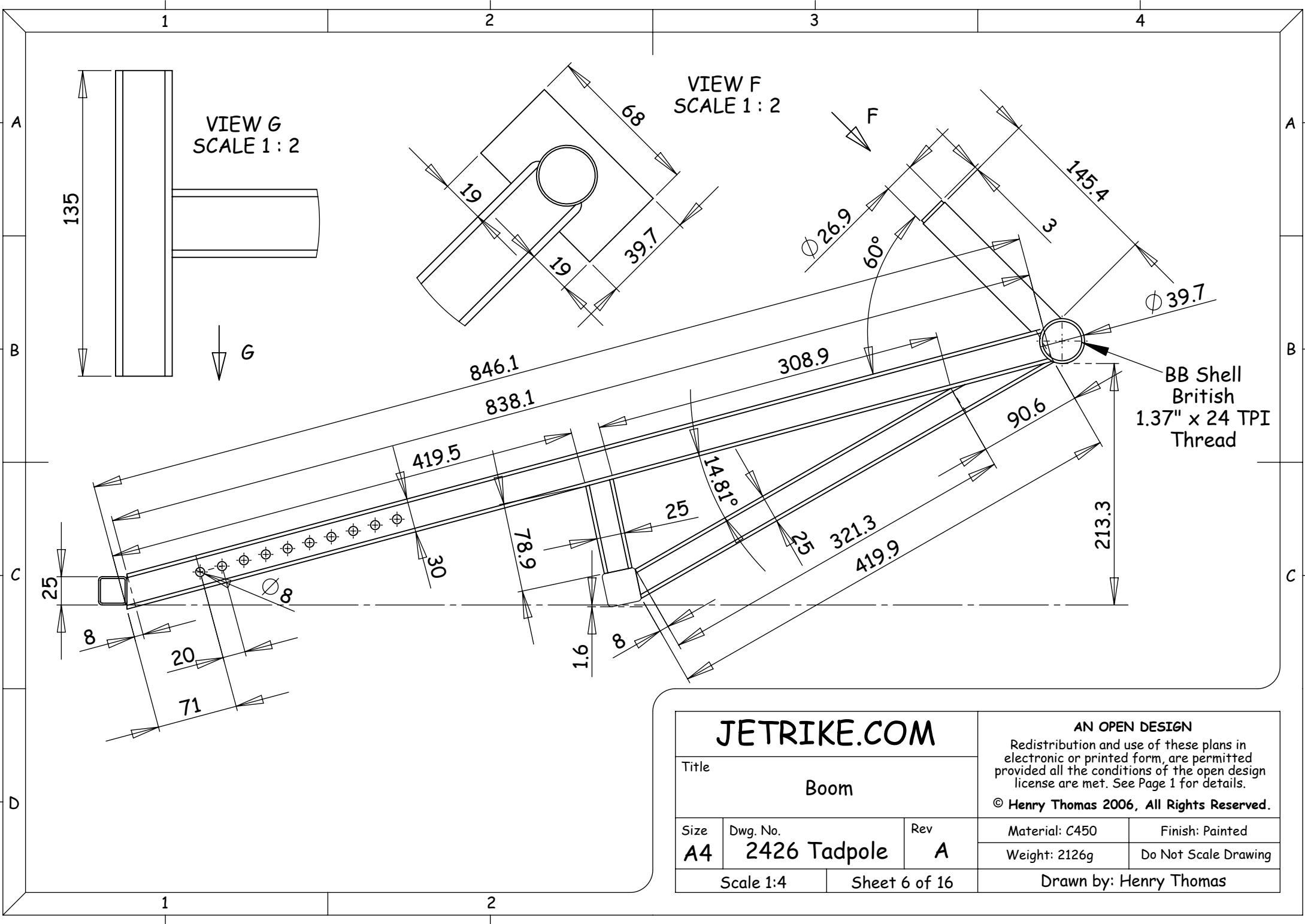
AN OPEN DESIGN

Redistribution and use of these plans in electronic or printed form, are permitted provided all the conditions of the open design license are met. See Page 1 for details.

© Henry Thomas 2006, All Rights Reserved.

Material: C450	Finish: Painted
Weight: 1552g	Do Not Scale Drawing

Drawn by: Henry Thomas



VIEW F
SCALE 1:2

VIEW G
SCALE 1:2

BB Shell
British
1.37" x 24 TPI
Thread

<h1>JETRIKE.COM</h1>			AN OPEN DESIGN	
Title Boom			Redistribution and use of these plans in electronic or printed form, are permitted provided all the conditions of the open design license are met. See Page 1 for details.	
© Henry Thomas 2006, All Rights Reserved.			© Henry Thomas 2006, All Rights Reserved.	
Size A4	Dwg. No. 2426 Tadpole	Rev A	Material: C450	Finish: Painted
Scale 1:4			Weight: 2126g	Do Not Scale Drawing
Sheet 6 of 16		Drawn by: Henry Thomas		

1

2

3

4

A

A

B

B

C

C

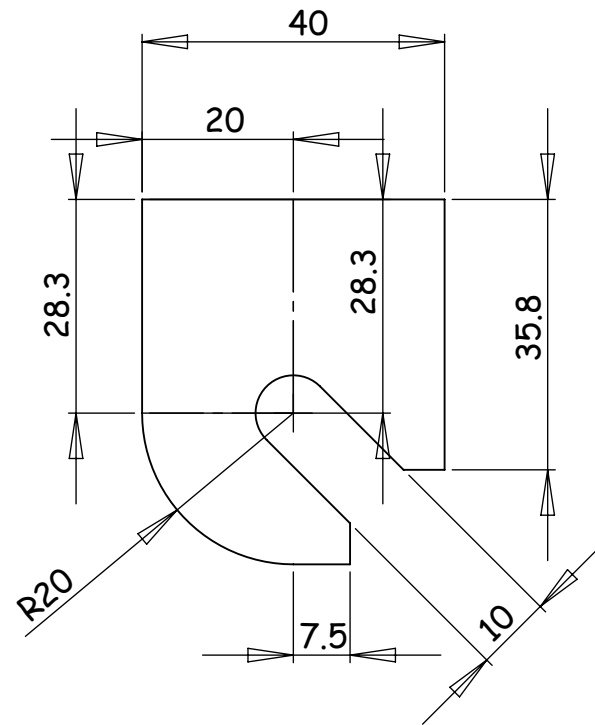
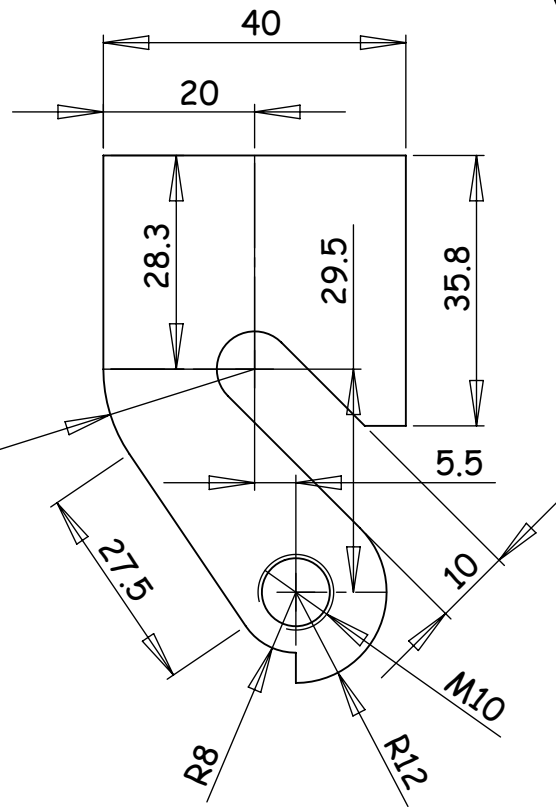
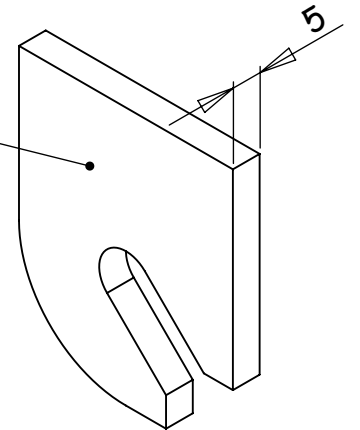
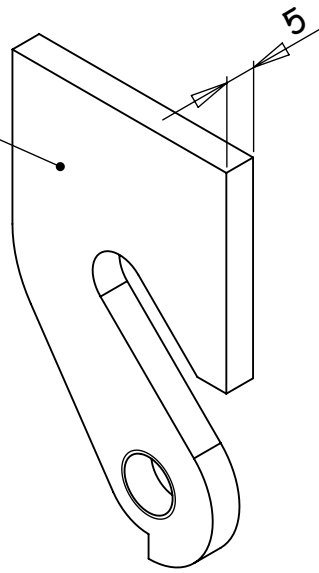
D

1

2

Right Dropout

Left Dropout



JETRIKE.COM

Title

Dropouts

AN OPEN DESIGN

Redistribution and use of these plans in electronic or printed form, are permitted provided all the conditions of the open design license are met. See Page 1 for details.

© Henry Thomas 2006, All Rights Reserved.

Size

A4

Dwg. No.

2426 Tadpole

Rev

A

Material: C450

Finish: Painted

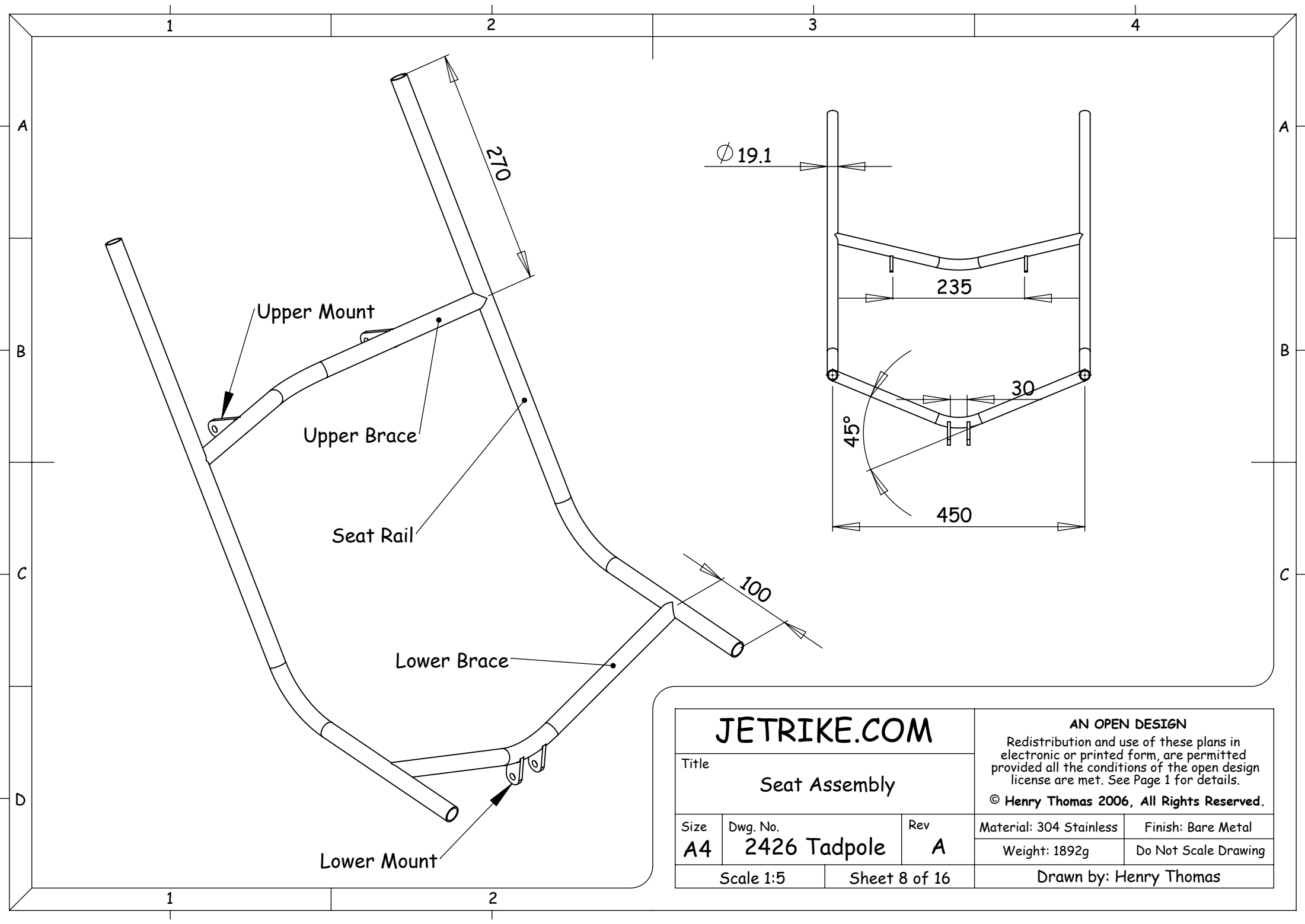
Weight: 59g

Do Not Scale Drawing

Scale 1:1

Sheet 7 of 16

Drawn by: Henry Thomas



1

2

3

4

A

A

B

B

C

C

D

1

2

Upper Mount

Upper Brace

Seat Rail

Lower Brace

Lower Mount

270

∅ 19.1

235

30

45°

450

100

JETRIKE.COM

Title
Seat Assembly

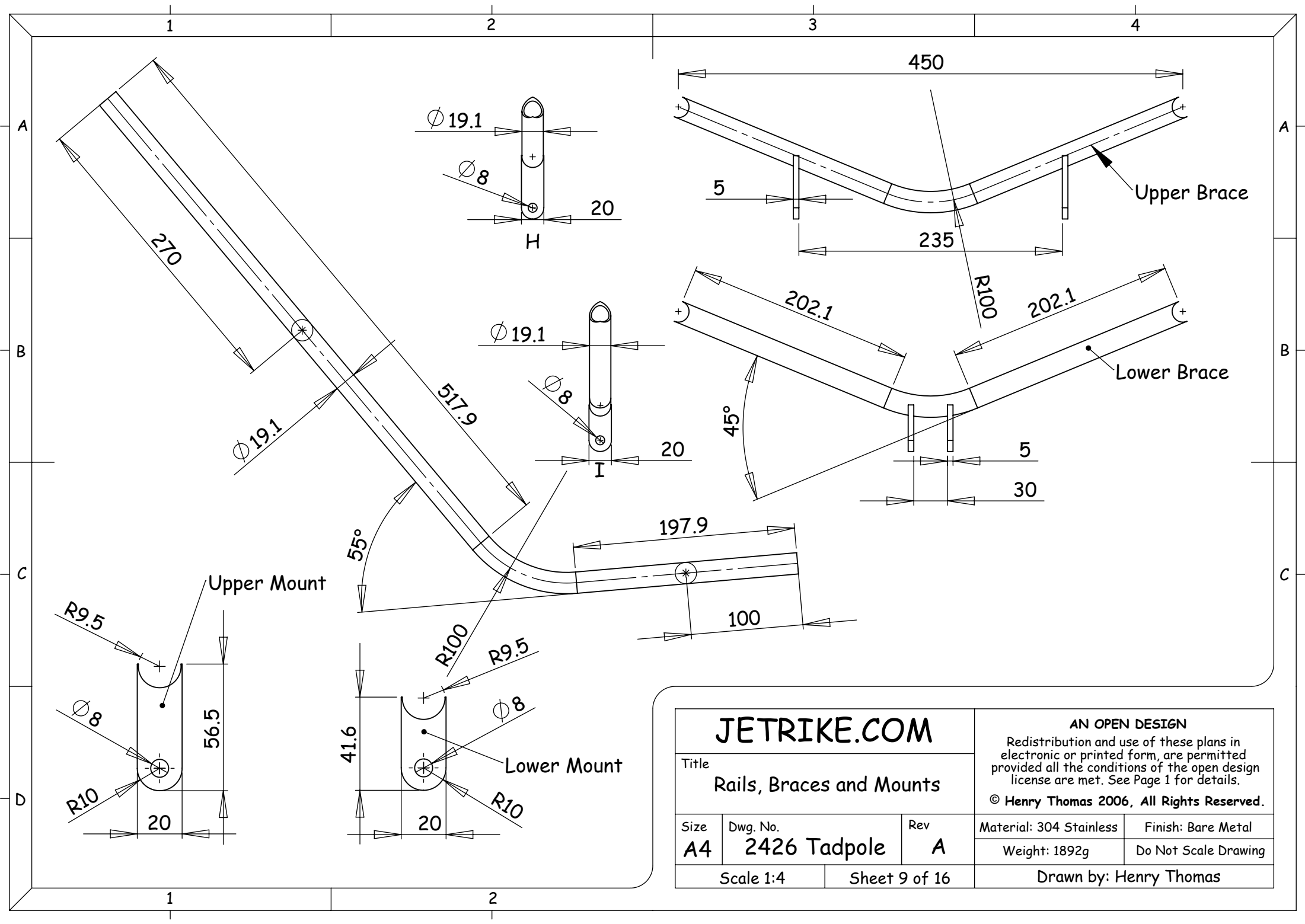
AN OPEN DESIGN
Redistribution and use of these plans in electronic or printed form, are permitted provided all the conditions of the open design license are met. See Page 1 for details.
© Henry Thomas 2006, All Rights Reserved.

Size A4	Dwg. No. 2426 Tadpole	Rev A
-------------------	---------------------------------	-----------------

Material: 304 Stainless	Finish: Bare Metal
Weight: 1892g	Do Not Scale Drawing

Scale 1:5	Sheet 8 of 16
-----------	---------------

Drawn by: Henry Thomas



JETRIKE.COM

Title
Rails, Braces and Mounts

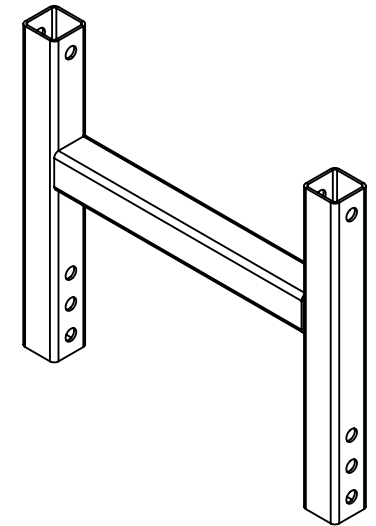
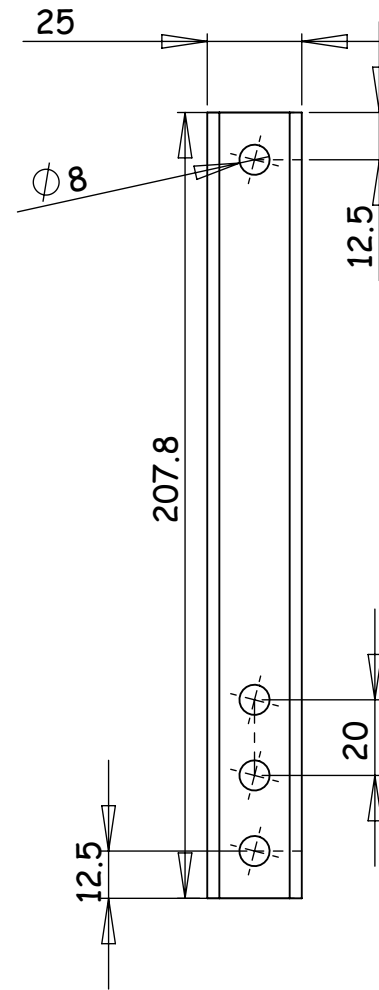
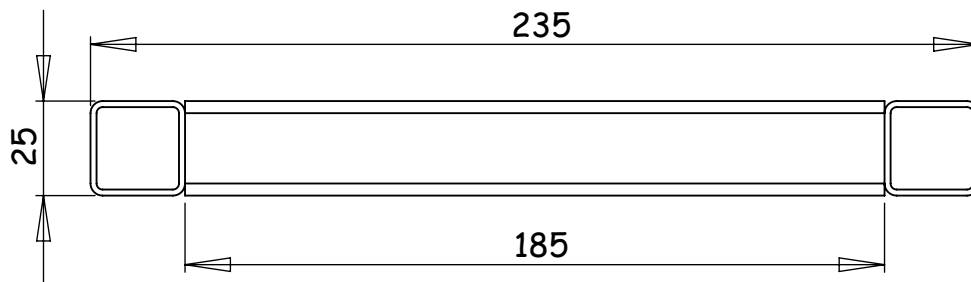
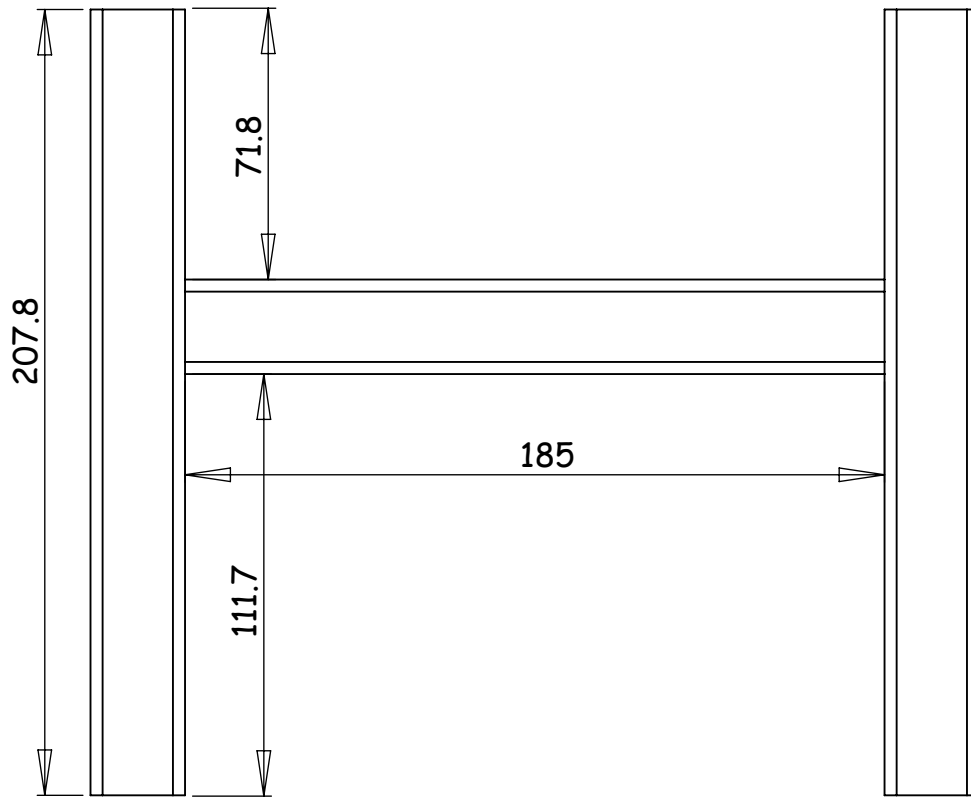
AN OPEN DESIGN
 Redistribution and use of these plans in electronic or printed form, are permitted provided all the conditions of the open design license are met. See Page 1 for details.
 © Henry Thomas 2006, All Rights Reserved.

Size A4	Dwg. No. 2426 Tadpole	Rev A
-------------------	---------------------------------	-----------------

Material: 304 Stainless	Finish: Bare Metal
Weight: 1892g	Do Not Scale Drawing

Scale 1:4 Sheet 9 of 16

Drawn by: Henry Thomas



JETRIKE.COM			AN OPEN DESIGN	
Title Strut			Redistribution and use of these plans in electronic or printed form, are permitted provided all the conditions of the open design license are met. See Page 1 for details.	
© Henry Thomas 2006, All Rights Reserved.			© Henry Thomas 2006, All Rights Reserved.	
Size A4	Dwg. No. 2426 Tadpole	Rev A	Material: C450	Finish: Painted
			Weight: 661g	Do Not Scale Drawing
Scale 1:2		Sheet 10 of 16		Drawn by: Henry Thomas

1

2

3

4

Brake Bush

Handle Bar Binder

Handle Bar

Front Axle Mount

King Pin Arm

King Pin Hinge

Brake Arm

Track Arm

JETRIKE.COM

Title

Steering Assembly

AN OPEN DESIGN
Redistribution and use of these plans in electronic or printed form, are permitted provided all the conditions of the open design license are met. See Page 1 for details.

© Henry Thomas 2006, All Rights Reserved.

Size

A4

Dwg. No.

2426 Tadpole

Rev

A

Material: C450

Finish: Painted

Weight: 1089g

Do Not Scale Drawing

Scale 1:2

Sheet 11 of 16

Drawn by: Henry Thomas

1

2

A

A

B

B

C

C

D

D

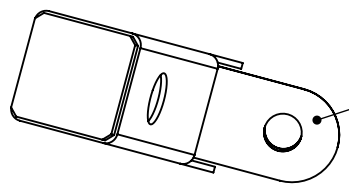
1

2

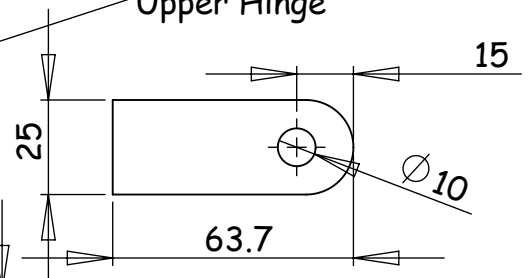
3

4

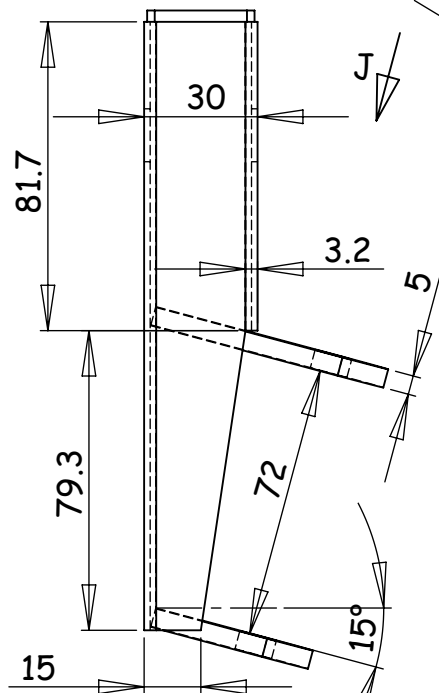
VIEW J



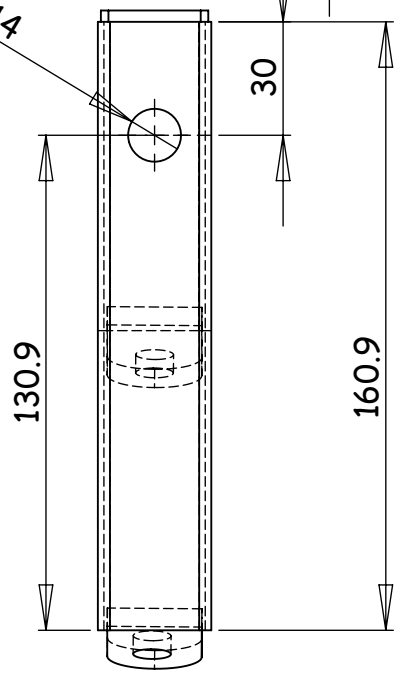
Upper Hinge



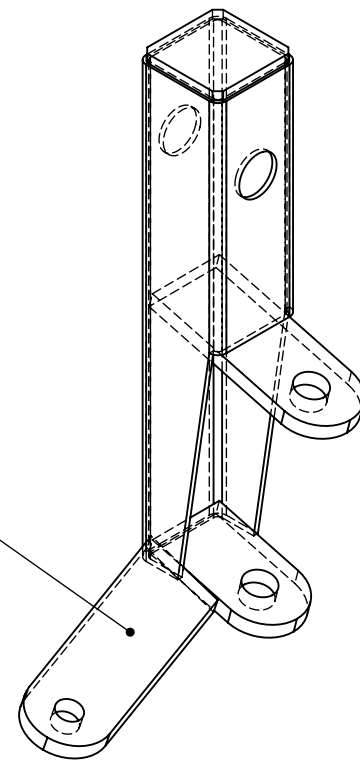
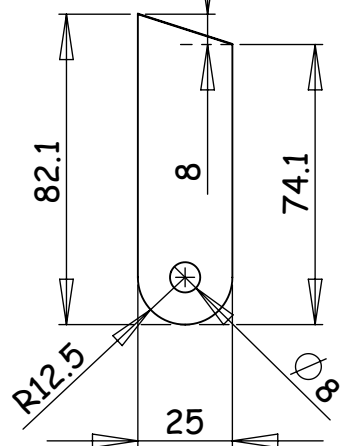
J



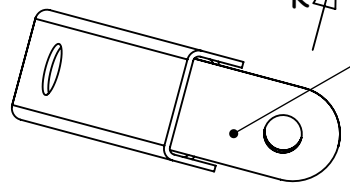
Ø14



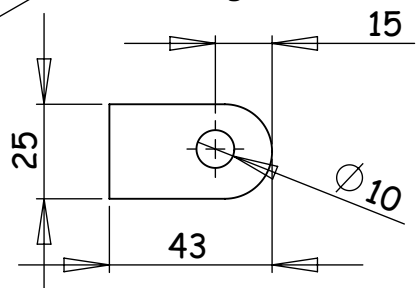
Track Arm



Lower Hinge



K



VIEW K

JETRIKE.COM

Title
King Pin Arm

AN OPEN DESIGN
Redistribution and use of these plans in electronic or printed form, are permitted provided all the conditions of the open design license are met. See Page 1 for details.
© Henry Thomas 2006, All Rights Reserved.

Size A4	Dwg. No. 2426 Tadpole	Rev A
-------------------	---------------------------------	-----------------

Material: C450	Finish: Painted
Weight: 285g	Do Not Scale Drawing

Scale 1:2 Sheet 12 of 16

Drawn by: Henry Thomas

1

2

A

A

B

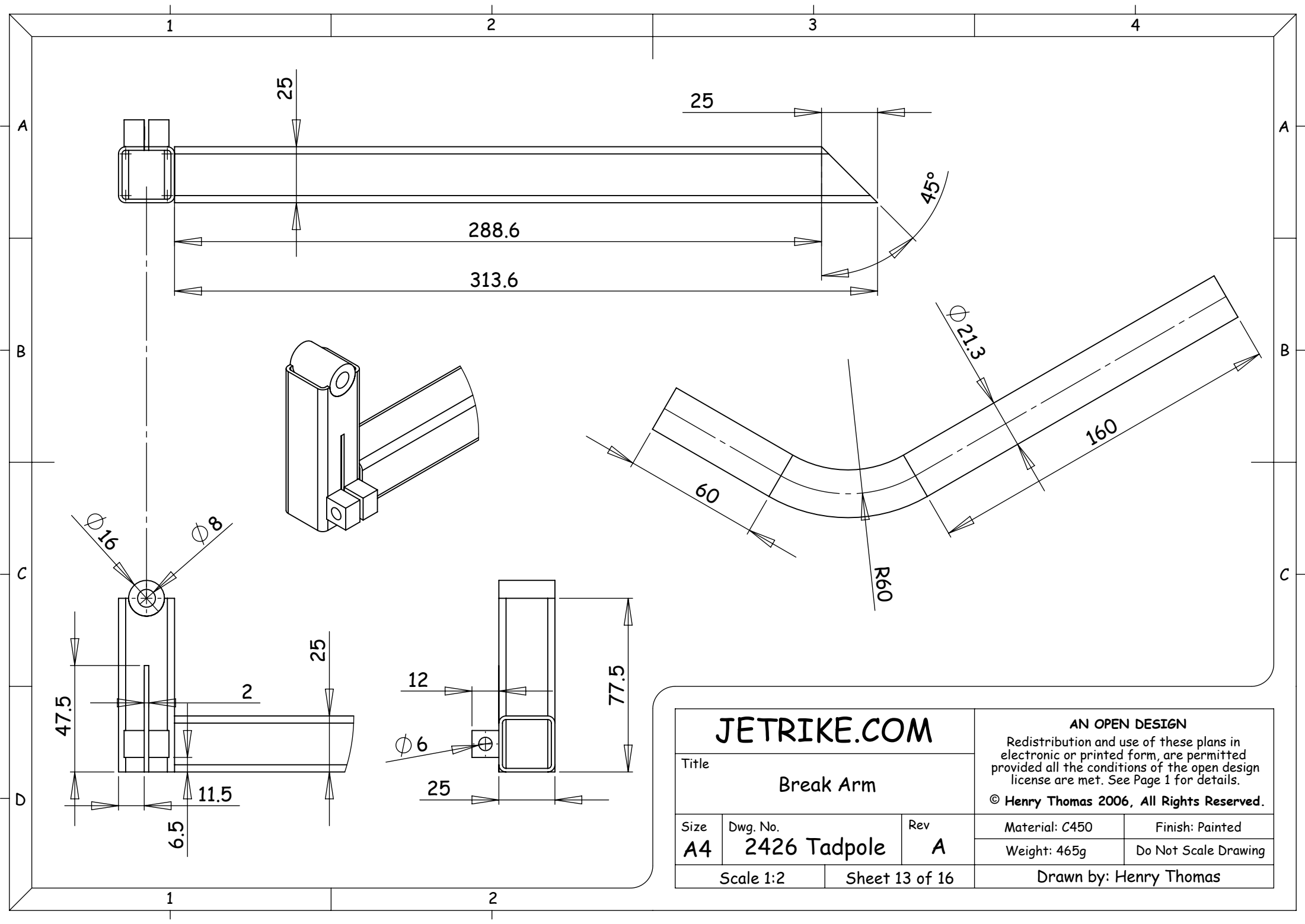
B

C

C

D

D

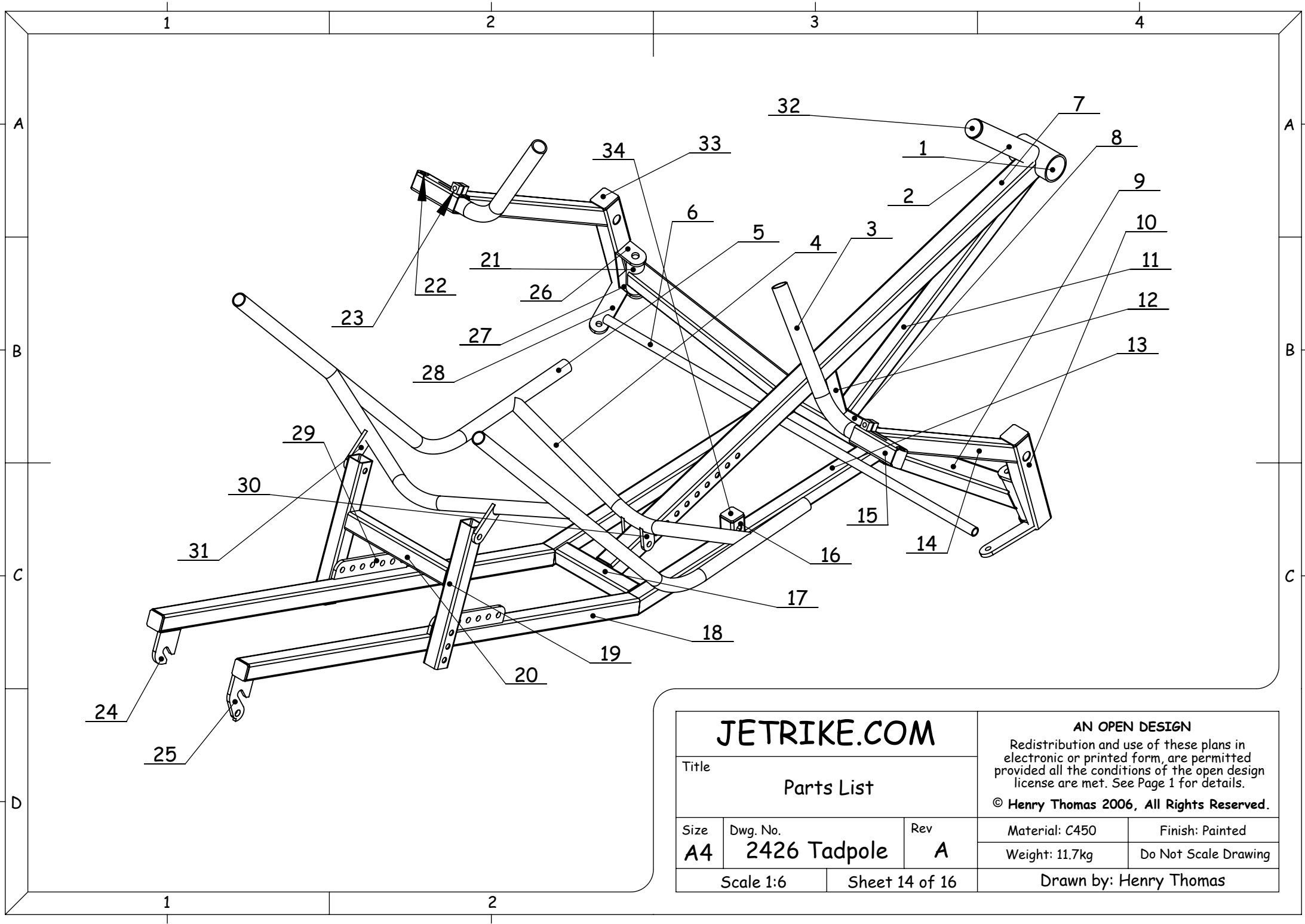


JETRIKE.COM		
Title Break Arm		
Size A4	Dwg. No. 2426 Tadpole	Rev A
Scale 1:2		Sheet 13 of 16

AN OPEN DESIGN
 Redistribution and use of these plans in electronic or printed form, are permitted provided all the conditions of the open design license are met. See Page 1 for details.
 © Henry Thomas 2006, All Rights Reserved.

Material: C450	Finish: Painted
Weight: 465g	Do Not Scale Drawing

Drawn by: Henry Thomas



JETRIKE.COM			AN OPEN DESIGN Redistribution and use of these plans in electronic or printed form, are permitted provided all the conditions of the open design license are met. See Page 1 for details. © Henry Thomas 2006, All Rights Reserved.	
Title				
Parts List				
Size	Dwg. No.	Rev	Material: C450	Finish: Painted
A4	2426 Tadpole	A	Weight: 11.7kg	Do Not Scale Drawing
Scale 1:6		Sheet 14 of 16	Drawn by: Henry Thomas	

Basic Tadpole Cut List

ITEM NO.	DESCRIPTION	QTY.	LENGTH	TOTAL
1	BB Shell British 1.35 x 24 TPI	1	68	
2	CHS Nominal Bore 20mm Extra Light	1	146.4	146.4
3	CHS Nominal Bore 15mm Light	2	282.8	565.6
4	Tube OD 3/4 x 0.064 inch	2	482.8	965.6
5	Tube OD 3/4 x 0.064 inch	2	811.9	1623.8
6	Tube OD 1/2 x 0.64 inch	1	692.7	692.7
7	SHS 30 x 30 x 1.6mm	1	846.4	846.4
8	SHS 30 x 30 x 1.6mm	1	198.9	198.9
9	SHS 30 x 30 x 1.6mm	2	274.3	548.6
10	SHS 30 x 30 x 1.6mm	2	160.9	321.8
11	SHS 25 x 25 x 1.6mm	1	420.1	420.1
12	SHS 25 x 25 x 1.6mm	1	80.2	80.2
13	SHS 25 x 25 x 1.6mm	2	455	910
14	SHS 25 x 25 x 1.6mm	2	313.6	627.2
15	SHS 25 x 25 x 1.6mm	2	77.5	155
16	SHS 25 x 25 x 1.6mm	1	27.5	27.5
17	SHS 25 x 25 x 1.6mm	1	135	135
18	SHS 25 x 25 x 1.6mm	2	782.3	1564.6
19	SHS 25 x 25 x 1.6mm	2	207.8	415.6
20	SHS 25 x 25 x 1.6mm	1	185	185
21	Round 24mm	2	70	140
22	Round 16mm	2	25	50
23	Square 12mm	4	9	36
24	Flat 40 x 5mm	1	48.3	48.3
25	Flat 40 x 5mm	1	69.8	69.8
26	Flat 25 x 5mm	2	63.7	127.4
27	Flat 25 x 5mm	2	43	86
28	Flat 25 x 5mm	2	82.2	164.4
29	Flat 25 x 5mm	2	145	290
30	Flat 20 x 5mm	2	41.6	83.2
31	Flat 20 x 5mm	2	56.5	113
32	Plate 26.9 Diameter x 1.5mm	1		
33	Plate 30 x 30 x 1.5mm	2		
34	Plate 25 x 25 x 1.5mm	3		
TOTALS	Tube OD 3/4x 0.064 inch			2589.4
	SHS 30 x 30 x 1.6mm			1915.7
	SHS 25 x 25 x 1.6mm			4520.2
	Flat 40 x 5mm			118.1
	Flat 25 x 5mm			667.8
	Flat 20 x 5mm			196.2
	Plate 55 x 90 x 1.5mm			

1

2

3

4

A

A

B

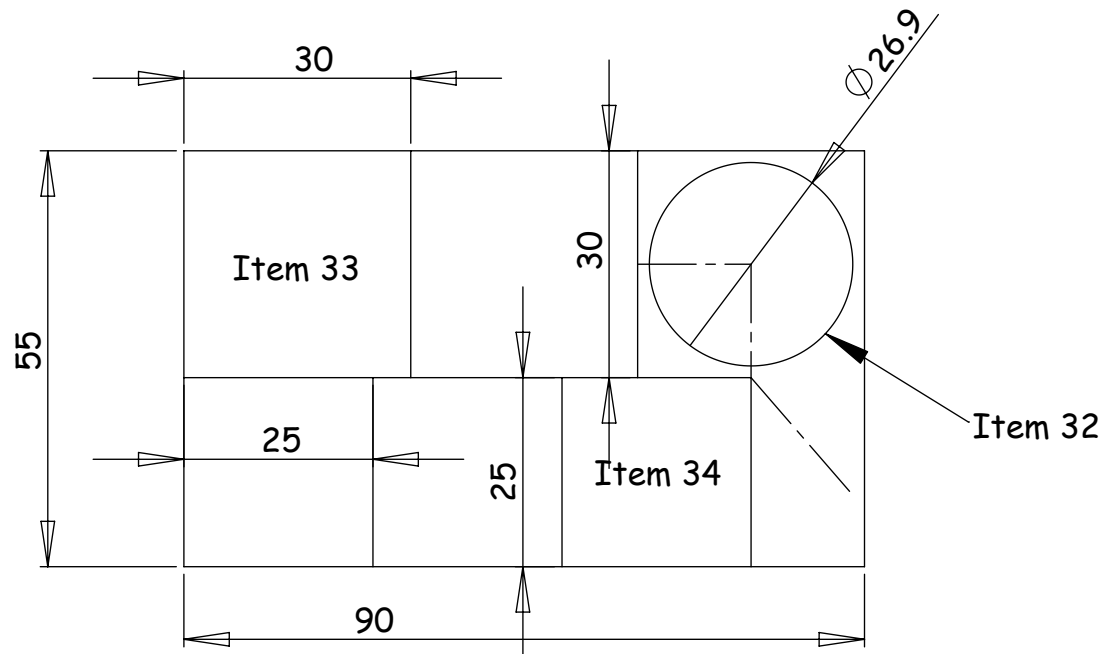
B

C

C

D

Endcaps
Plate 55 x 90 x 1.5mm



JETRIKE.COM

Title

Plate Cutout

AN OPEN DESIGN

Redistribution and use of these plans in electronic or printed form, are permitted provided all the conditions of the open design license are met. See Page 1 for details.

© Henry Thomas 2006, All Rights Reserved.

Size

A4

Dwg. No.

2426 Tadpole

Rev

A

Material:

Finish:

Weight:

Do Not Scale Drawing

Scale 1:1

Sheet 16 of 16

Drawn by: Henry Thomas

1

2